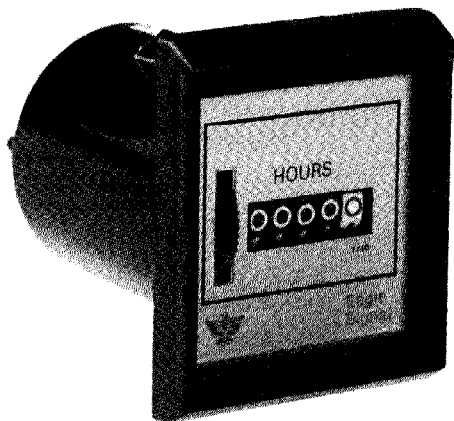


## SPECIFICATIONS



... Totalizes the "ON" or running time of electrically operated equipment.

### OPERATION

The Eagle Signal HK Series time totalizer has a synchronous motor which drives a set of digit readout wheels to indicate the total time the unit is energized.

Six digit-wheels including a 1/10 digit on hours and minutes, provide a fine, wide range of time measurement on the HK4.

The HK5 has five digit-wheels including a 1/10 digit on hours and minutes, and features a front mounted reset wheel. The HK5 can be hand reset to zero at any time during its operation.

### FEATURES

- Large, easy to read digits.
- Dust proof dial cover.
- Maintenance free.
- High impact plastic case.
- Can be mounted in any position.

### Dial Ranges

NON-RESET	
SYMBOL	TIME RANGE
HK400	99999.9 Min
HK410	99999.9 Hrs
HK420	999999 Sec
RESET	
SYMBOL	TIME RANGE
HK500	9999.9 Min
HK510	9999.9 Hrs
HK520	99999 Sec

### Voltage/Frequency

120V (+10, -15%) 50/60 Hz  
240V (+10, -15%) 50/60 Hz

### Burden


3W Max

### Temperature Range

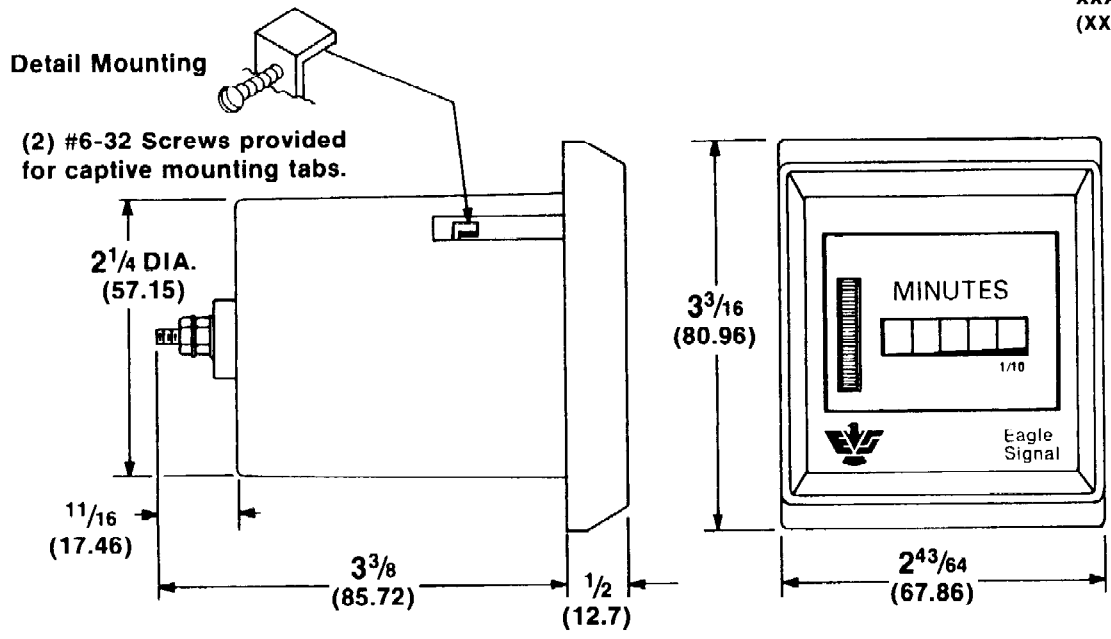
0°F to 140°F (-17° to 60°C)

### Laboratory Testing

U.L. Recognition E-59290

C.S.A. Certification LR-27967 

XXX = Inches  
(XXX) = Millimeters



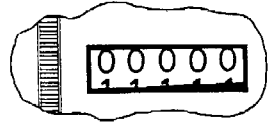
Requires 2 3/8 diameter panel cutout for mounting.  
1/2 maximum mounting panel thickness.

5  
ELECTRIC  
TIMERS

**ENCLOSURES**

PART NUMBER	DESCRIPTION
1701-0673	Surface Mounting Box NEMA 1

**CAUTION:** When resetting the HK5 unit, adjust odometer to position 00000 at top of window, as shown below.



**ACCESSORIES**

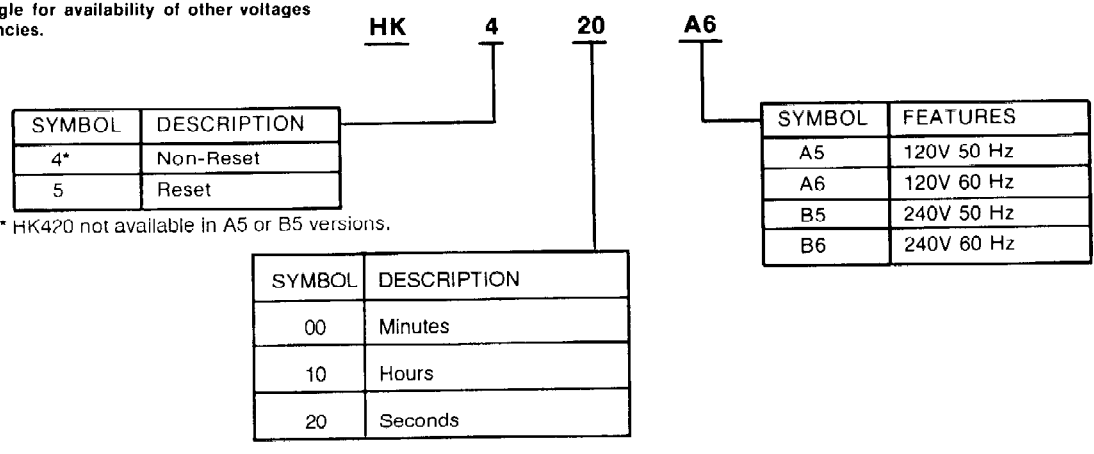
PART NUMBER	DESCRIPTION
HK500-07	Key Lock Cover

**TYPICAL APPLICATIONS**

- Electronic Equipment
- Computers and Office Machines
- Machine Tool Lubrication
- Maintenance Programs
- Industrial Ovens
- Electrical Equipment Rental
- Industrial Cost Analysis
- Nuclear Control Systems
- Recording Machine Down Time
- Radio Transmitters

**ORDERING INFORMATION**

Consult Eagle for availability of other voltages and frequencies.

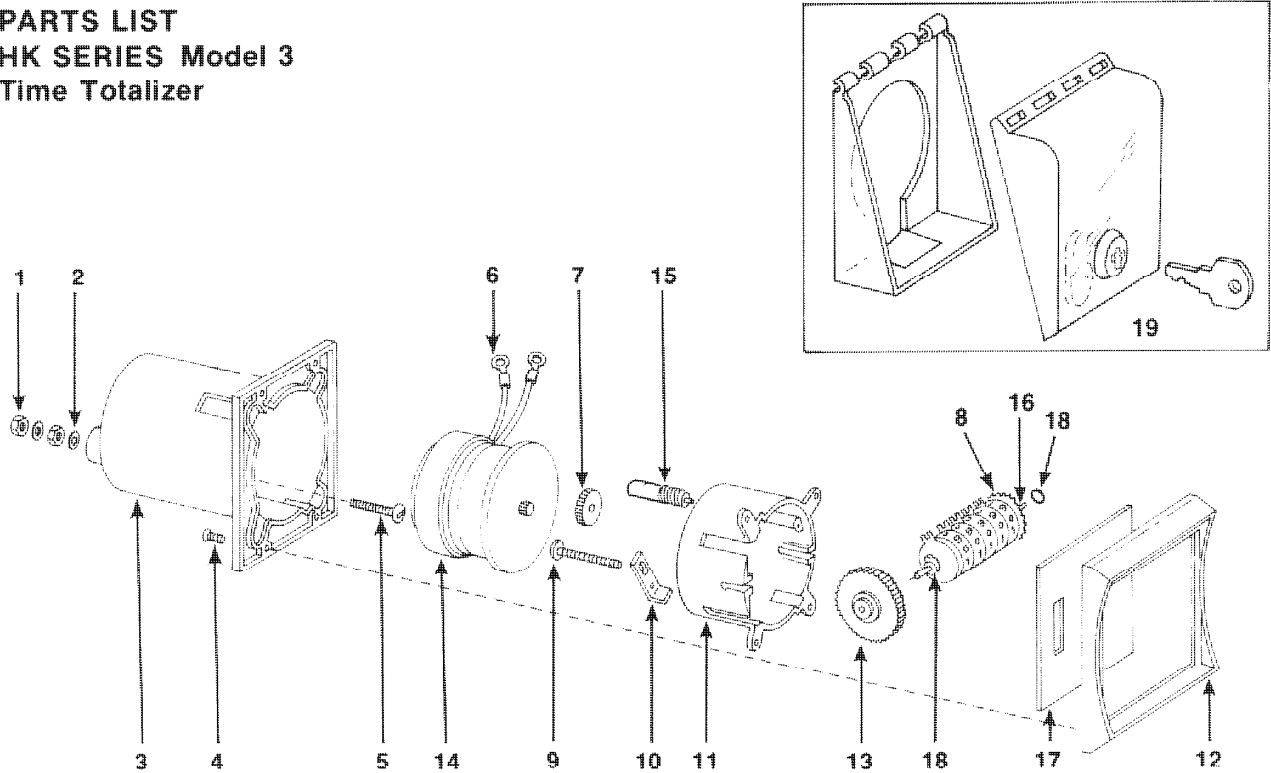


# COUNT CONTROL



## PARTS LIST HK SERIES Model 3 Time Totalizer

BULLETIN 705E



- |  |  |
|--|--|
| <ul style="list-style-type: none"> <li>1. 0150627 8-32 Hex nut terminal</li> <li>2. 0157017 #8 Lock washer</li> <li>3. 1106-1443 Case</li> <li>4. 0133911 4-24 x 3/8 Screw</li> <li>5. 0116807 8-32 x 3/4 Terminal screw</li> <li>6. PAT-36 Eyelet terminal</li> <li>7. 1106-1471 Idler gear</li> <li>8. 1106-4142 "Sec/Min" Drive Gear</li> <li>1106-2252 "Hours" Drive Gear</li> <li>9. 0116027 6-32 x 1-1/4 Mounting screw</li> <li>10. 1600-2991 Mounting lug</li> <li>11. 1106-1454 Frame</li> <li>12. 1703-0393 Bezel</li> </ul> | <ul style="list-style-type: none"> <li>13. 1106-1461 Reset wheel (HK5)</li> <li>14. Motor — Table #1</li> <li>15. 1106-1432 "Sec/Min" Worm gear</li> <li>1106-2122 "Hours" Worm gear</li> <li>16. 4002-0062 HK4 Odometer (Seconds)</li> <li>4002-0052 HK5 Odometer (Seconds)</li> <li>4002-0022 HK4 Odometer (Min/Hrs)</li> <li>4002-0012 HK5 Odometer (Min/Hrs)</li> <li>17. Dial — Table #1</li> <li>18. 1104-1381 Retaining spring</li> <li>19. HK500-7 Keylock (ACCESSORY - ORDER SEPARATELY)</li> </ul> |
|--|--|

SERIES	TIME SYMBOL	DIAL	MOTOR SPEED (RPM)	A6 120/60	B6 240/60	A5 120/50	B5 240/50
4	20 Sec	1209-1712	60	4137-0301	4137-0311	4137-0351	4137-0361
	00 Min	1209-1722	10	4136-0301	4136-0311	4136-0351	4136-0361
	10 Hr	1209-1732	1	4135-0841	4135-0851	4135-0891	4135-0901
5	20 Sec	1209-1472	60	4137-0301	4137-0311	4137-0351	4137-0361
	00 Min	1209-1522	10	4136-0301	4136-0311	4136-0351	4136-0361
	10 Hr	1209-1532	1	4135-0841	4135-0851	4135-0891	4135-0901

## Eagle Signal Controls

Industrial Control Products  
8004 Cameron Road, Austin, Texas 78754

PRINTED U.S.A. REVISED 6/86