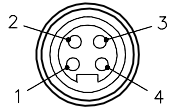
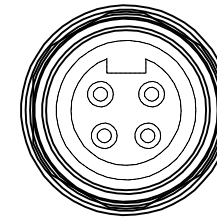
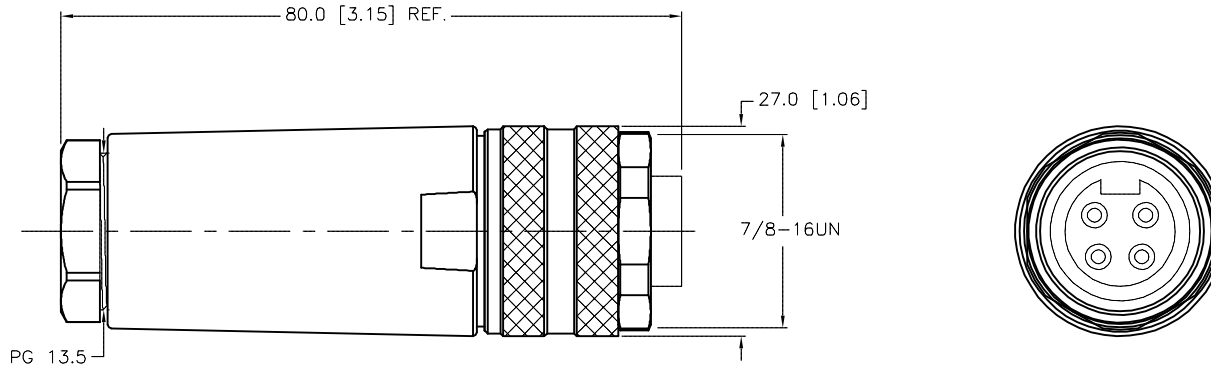


FEMALE END VIEW



SPECIFICATIONS

HOUSING MATERIAL/COLOR	PBT or NYLON/BLACK
CONTACT MATERIAL/PLATING	BRASS/GOLD
COUPLING NUT MATERIAL/PLATING	DIECAST ZINC/NICKEL
UL APPROVED RATED CURRENT [A]	9.0 A
MANUFACTURERS APPROVED RATED CURRENT [A]	15.0 A
RATED VOLTAGE [V]	600 V
UL APPROVED MAXIMUM WIRE SIZE	16 AWG
MANUFACTURERS APPROVED MAXIMUM WIRE SIZE	14 AWG
TERMINATION METHOD	SCREW TERMINAL
CABLE GRIP RANGE	10-12mm
TEMPERATURE RATING	-25°C to +85°C (-13°F to +185°F)
PROTECTION CLASS	IP67



SOURCE DRAWING - FOR REFERENCE ONLY

RELATED DOCUMENTS		3RD ANGLE PROJECTION		THIS DRAWING IS CONFIDENTIAL AND THE PROPERTY OF TURCK INC. USE OF THIS DOCUMENT WITHOUT WRITTEN PERMISSION IS PROHIBITED.		<p>3000 CAMPUS DRIVE MINNEAPOLIS, MN 55441 1-800-544-7769 (763) 553-7300 (763) 553-0708 fax www.turck.us</p>	
1.			DRFT	RDS	DATE	DESCRIPTION	
2.			APVD		12/28/04	B 4141-0/13.5	
3.		ALL DIMENSIONS DISPLAYED ON THIS DRAWING ARE FOR REFERENCE ONLY	UNIT OF MEASUREMENT		IDENTIFICATION NO.		REV
4.			MILLIMETER [INCH]		U6413		E
MATERIAL		CONTACT TURCK FOR MORE INFORMATION	DO NOT SCALE THIS DRAWING		FILE: U6413		SHEET 1 OF 1
SEE SPECIFICATIONS							
FINISH							
SEE SPECIFICATIONS							

E	UPDATE SPECIFICATIONS	NF	05/26/17	59977
REV	DESCRIPTION	BY	DATE	ECO NO.