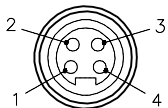
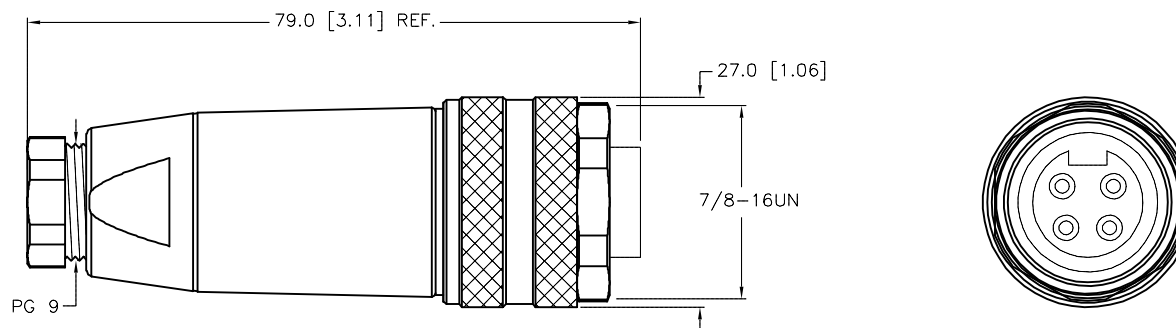


FEMALE END VIEW



SPECIFICATIONS

HOUSING MATERIAL/COLOR	PBT or NYLON/BLACK
CONTACT MATERIAL/PLATING	BRASS/GOLD
COUPLING NUT MATERIAL/PLATING	DIECAST ZINC/NICKEL
UL APPROVED RATED CURRENT [A]	9.0 A
MANUFACTURERS APPROVED RATED CURRENT [A]	15.0 A
RATED VOLTAGE [V]	600 V
UL APPROVED MAXIMUM WIRE SIZE	16 AWG
MANUFACTURERS APPROVED MAXIMUM WIRE SIZE	14 AWG
TERMINATION METHOD	SCREW TERMINAL
CABLE GRIP RANGE	6-8mm
TEMPERATURE RATING	-25°C to +85°C (-13°F to +185°F)
PROTECTION CLASS	IP67



SOURCE DRAWING - FOR REFERENCE ONLY

RELATED DOCUMENTS 1. 2. 3. 4.	3RD ANGLE PROJECTION 	THIS DOCUMENT IS PROPERTY OF TURCK INC. USE OF THIS DOCUMENT WITHOUT WRITTEN PERMISSION IS PROHIBITED.		3000 CAMPUS DRIVE MINNEAPOLIS, MN 55441 1-800-544-7769 (612) 553-7300 (612) 553-0708 fax www.turck.com		
	MATERIAL  SEE SPECIFICATIONS	ALL DIMENSIONS DISPLAYED ON THIS DRAWING ARE FOR REFERENCE ONLY	DRFT JBJ DATE 08/03/99	DESCRIPTION  B 4141-0/9		
			APVD SCALE 1=1.0			
	FINISH  SEE SPECIFICATIONS	CONTACT TURCK FOR MORE INFORMATION	UNIT OF MEASUREMENT <b>MILLIMETER [ INCH ]</b>		IDENTIFICATION NO.  U6410	REV  E
DO NOT SCALE THIS DRAWING		FILE: U6410		SHEET 1 OF 1		

E	UPDATE SPECIFICATIONS	NF	05/26/17	59977
REV	DESCRIPTION	BY	DATE	ECO NO.