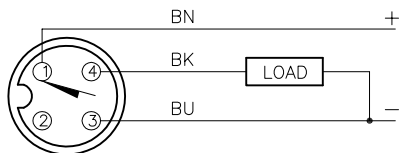


WIRING DIAGRAM

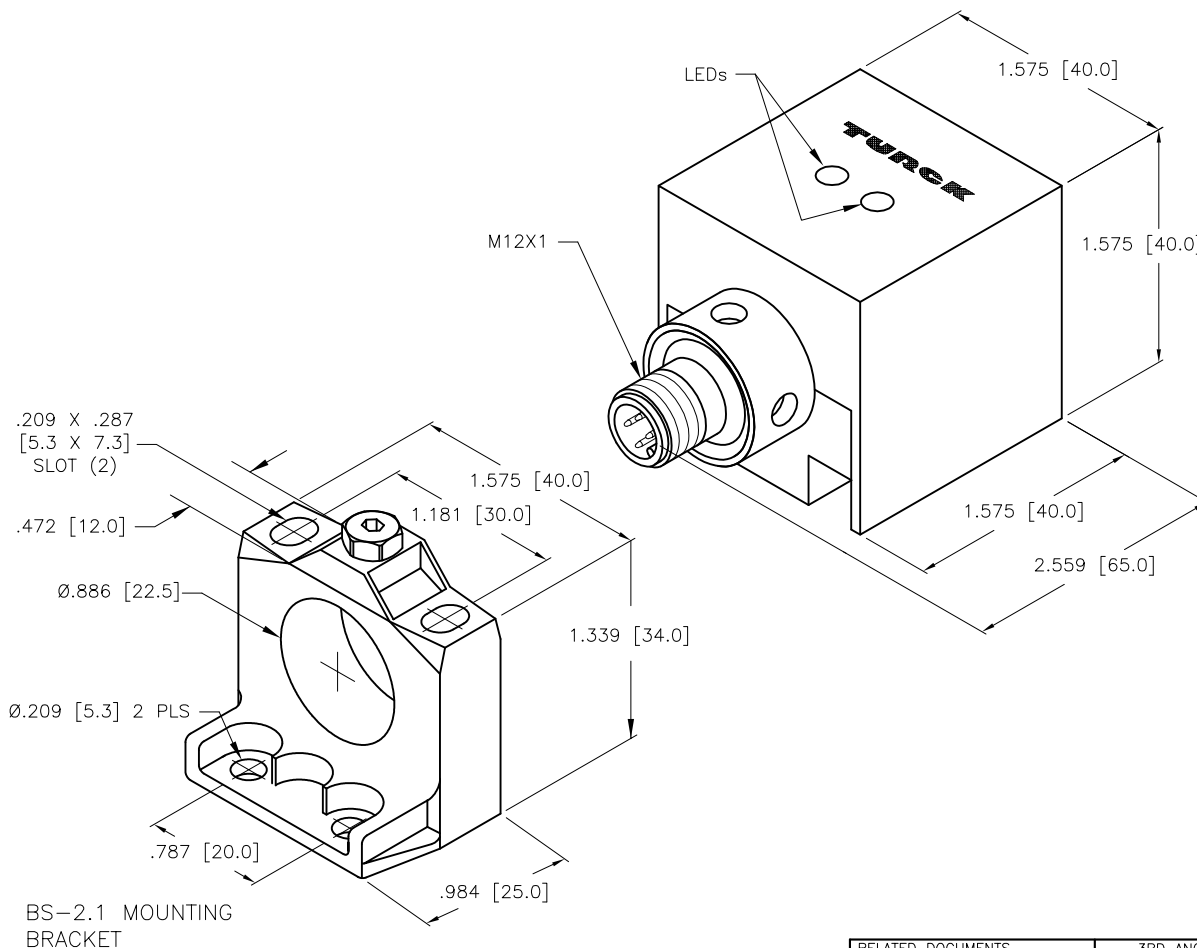


OUTPUT: AP6X2

SHORT-CIRCUIT AND OVERLOAD PROTECTED

SPECIFICATIONS

RATED OPERATING DISTANCE	20mm = .787"
HYSTERESIS	3-15%
REPEAT ACCURACY	≤ 2%
TEMPERATURE DRIFT	≤ ±10%
OPERATING TEMPERATURE	0°C to +70°C (+32°F to +158°F)
OPERATING VOLTAGE	10-30 VDC
RESIDUAL RIPPLE	≤ 10%
DC RATED OPERATIONAL CURRENT	≤ 200 mA
NO-LOAD CURRENT	≤ 15 mA
RESIDUAL CURRENT	≤ 0.1 mA
MAX. SWITCHING FREQUENCY	≤ 0.25 kHz
RATED INSULATION VOLTAGE	≤ 0.5 kV
OUTPUT FUNCTION	3-WIRE, NORMALLY OPEN, PNP
SHORT-CIRCUIT PROTECTED	YES
MAX. VOLTAGE DROP	≤ 1.8 V
REVERSE POLARITY PROTECTION	INCORPORATED
WIRE-BREAK PROTECTION	INCORPORATED
HOUSING MATERIAL	METAL, GD-ALSI 12
ACTIVE FACE MATERIAL	PLASTIC, PA6-GF30
CONNECTOR	M12x1
VIBRATION	55 Hz, 1 mm AMPLITUDE (IN ALL 3 PLANES)
SHOCK	30 g, 11 ms
PROTECTION	IP67
SUPPLY VOLTAGE INDICATION	LED - GREEN
SWITCHING STATUS INDICATION	LED - YELLOW



NOTES:

1. SENSING HEAD CAN ROTATE TO 5 DIFFERENT SENSING POSITIONS.
2. UPROX HAS WELD FIELD IMMUNITY, SENSOR IS SUITABLE FOR USE ON RESISTANCE MACHINES.

SOURCE DRAWING - FOR REFERENCE ONLY

RELATED DOCUMENTS 1. 2. 3. 4.	3RD ANGLE PROJECTION	THIS DRAWING IS CONFIDENTIAL AND THE PROPERTY OF TURCK INC. USE OF THIS DOCUMENT WITHOUT WRITTEN PERMISSION IS PROHIBITED.	3000 CAMPUS DRIVE MINNEAPOLIS, MN 55441 1-800-544-7769 (763) 553-7300 (763) 553-0708 fax www.turck.us	
			TURCK	
MATERIAL SEE SPECS	ALL DIMENSIONS DISPLAYED ON THIS DRAWING ARE FOR REFERENCE ONLY	DRFT CBM	DATE 9/11/97	DESCRIPTION BI20U-CA40-AP6X2-H1141 W/BS2.1
FINISH		APVD -	SCALE 1=1.3	
		UNIT OF MEASUREMENT INCH [MILLIMETER]		IDENTIFICATION NO. 1627290
		CONTACT TURCK FOR MORE INFORMATION		REV D
D UPDATE ID NUMBER PER HARMONIZATION PROJECT		CBM 03/26/18		DO NOT SCALE THIS DRAWING
REV DESCRIPTION		BY DATE ECO NO.		FILE: 1627290 SHEET 1 OF 1