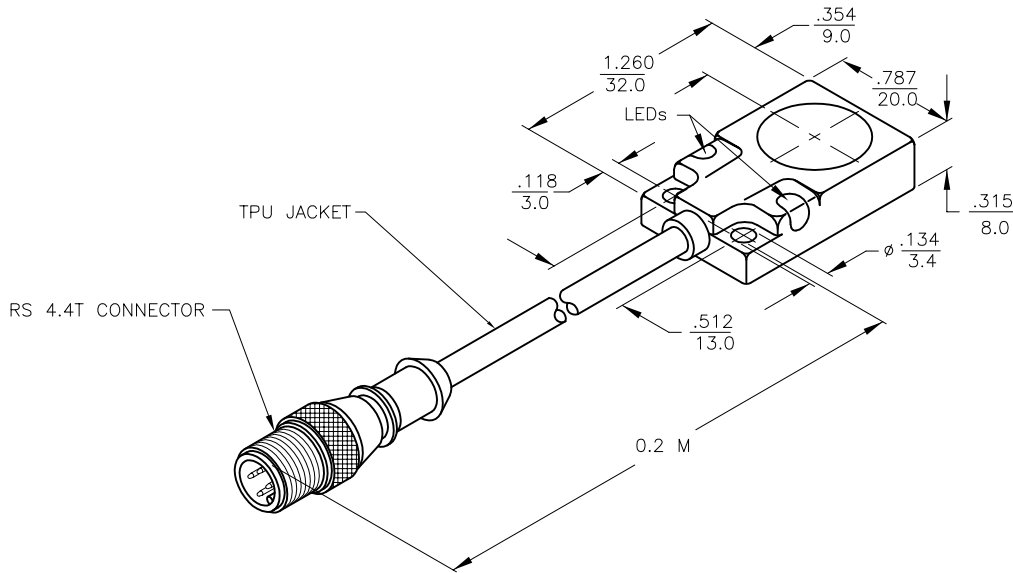


IMPORTANT NOTE:

"/S1020" INDICATES REVERSE BLUE AND BROWN WIRES.



SOURCE DRAWING - FOR REFERENCE ONLY

NOTES: 1. MATERIALS:
 HOUSING - DIE-CAST ZINC
 SENSING FACE - PA 12-GF30 PLASTIC
 CONNECTOR - CHROME PLATED BRASS
 CONTACTS - GOLD-PLATED BRASS

RELATED DOCUMENTS 1. 2. 3. 4.		3RD ANGLE PROJECTION 		THIS DRAWING IS CONFIDENTIAL AND THE PROPERTY OF TURCK INC. USE OF THIS DOCUMENT WITHOUT WRITTEN PERMISSION IS PROHIBITED.		<div style="text-align: right;"> TURCK 3000 CAMPUS DRIVE MINNEAPOLIS, MN 55441 1-800-544-7769 (763) 553-7300 (763) 553-0708 fax www.turck.us </div>	
MATERIAL		SEE NOTES		APVD	SCALE		1=2.0
FINISH		SEE NOTES		UNIT OF MEASUREMENT		IDENTIFICATION NO.	
				INCH [MILLIMETER]		1600188	
D		UPDATE ID NUMBER PER HARMONIZATION PROJECT		CBM		11/06/17	
REV		DESCRIPTION		BY		DATE	
						ECO NO.	
						CONTACT TURCK FOR MORE INFORMATION	
						DO NOT SCALE THIS DRAWING	
						FILE: 1600188	
						SHEET 1 OF 1	