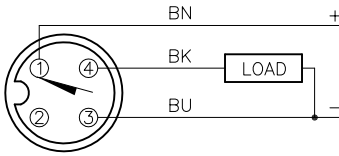
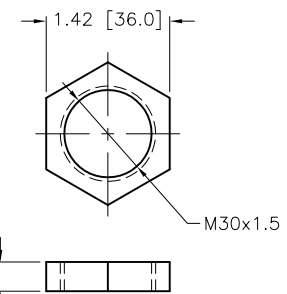
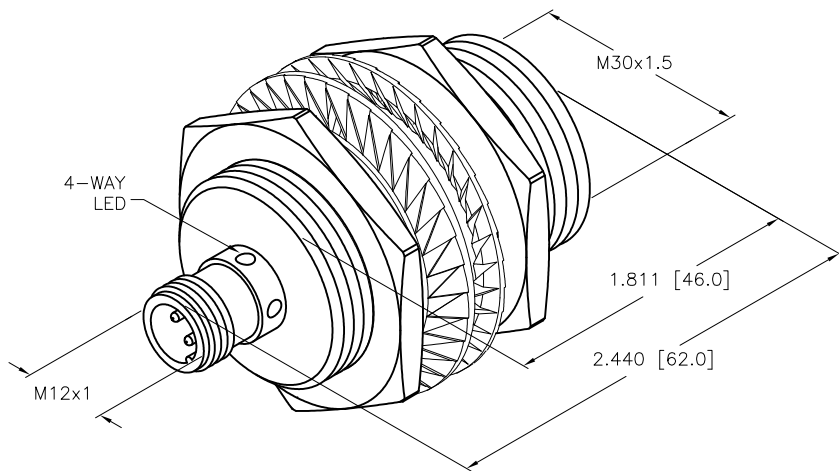


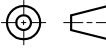
WIRING DIAGRAM	LOCKNUT LN-M30	SPECIFICATIONS	
 <p>OUTPUT: AP6X</p> <p>SHORT-CIRCUIT AND OVERLOAD PROTECTED</p>		OPERATING VOLTAGE	10-30 VDC
		RIPPLE	≤ 10%
		HYSTERESIS	3-15% (5% TYPICAL)
		VOLTAGE DROP ACROSS CONDUCTING SENSOR	≤ 1.8 V at 200 mA
		OUTPUT FUNCTION	NORMALLY OPEN, PNP
		TTL COMPATIBLE	NO
		SHORT-CIRCUIT PROTECTED	YES
		TRIGGER CURRENT FOR OVERLOAD PROTECTION	≥ 220 mA
		CONTINUOUS LOAD CURRENT	≤ 200 mA
		RESIDUAL CURRENT	< 100 μA
		NO-LOAD CURRENT	≤ 15 mA
		TIME DELAY BEFORE AVAILABILITY	≤ 8 ms
		POWER-ON EFFECT	Per IEC 947-5-2
		REVERSE POLARITY PROTECTION	INCORPORATED
		WIRE-BREAK PROTECTION	INCORPORATED
		TRANSIENT PROTECTION	Per EN 60947-5-2
		OPERATING TEMPERATURE	-25°C to +60°C (-13°F to +140°F)
		ENCLOSURE	MEETS NEMA 1, 3, 4, 6, 13 AND IEC IP67
		SHOCK	30 g, 11 ms
		VIBRATION	55 Hz, 1 mm AMPLITUDE (IN ALL 3 PLANES)
		LED FUNCTION	YELLOW: OUTPUT ENERGIZED
		RATED OPERATING DISTANCE(S _n)	15 mm = .591" (NOMINAL)
		SWITCHING FREQUENCY	2000 Hz
		REPEATABILITY	≤ 2% of RATED OPERATING DISTANCE
		EMBEDDABLE (SHIELDED)	YES



NOTES:

- MATERIAL:
 STAINLESS STEEL BARREL
 STAINLESS STEEL CONNECTOR
 STAINLESS STEEL LOCKNUTS
 STAINLESS STEEL LOCKWASHERS
- THERMOSET LAMINATE SENSING FACE.
- ALL DIMENSIONAL TOLERANCES: ±1.0mm.

SOURCE DRAWING - FOR REFERENCE ONLY

RELATED DOCUMENTS 1. 2. 3. 4.	3RD ANGLE PROJECTION 	THIS DRAWING IS CONFIDENTIAL AND THE PROPERTY OF TURCK INC. USE OF THIS DOCUMENT WITHOUT WRITTEN PERMISSION IS PROHIBITED.	<div style="text-align: right;"> 3000 CAMPUS DRIVE MINNEAPOLIS, MN 55441 1-800-544-7769 (763) 553-7300 (763) 553-0708 fax www.turck.us </div> <div style="text-align: center; font-size: 2em; font-weight: bold; margin: 10px 0;"> TURCK </div>
MATERIAL SEE NOTES:	ALL DIMENSIONS DISPLAYED ON THIS DRAWING ARE FOR REFERENCE ONLY CONTACT TURCK FOR MORE INFORMATION	DRFT RDS DATE 10/30/01 APVD SCALE 1=1.0 UNIT OF MEASUREMENT INCH [MILLIMETER] DO NOT SCALE THIS DRAWING	
D UPDATE ID NUMBER PER HARMONIZATION PROJECT CBM 01/02/18		DESCRIPTION B115-EM30-AP6X-H1141/S1589 IDENTIFICATION NO. 4618593 REV D	
REV DESCRIPTION	BY DATE ECO NO.	FILE: 4618593 SHEET 1 OF 1	