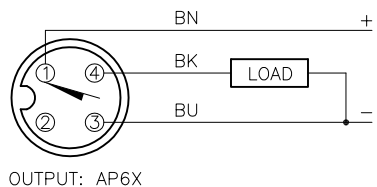
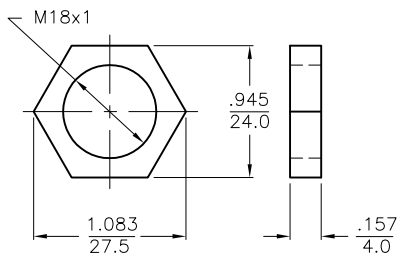


WIRING DIAGRAM



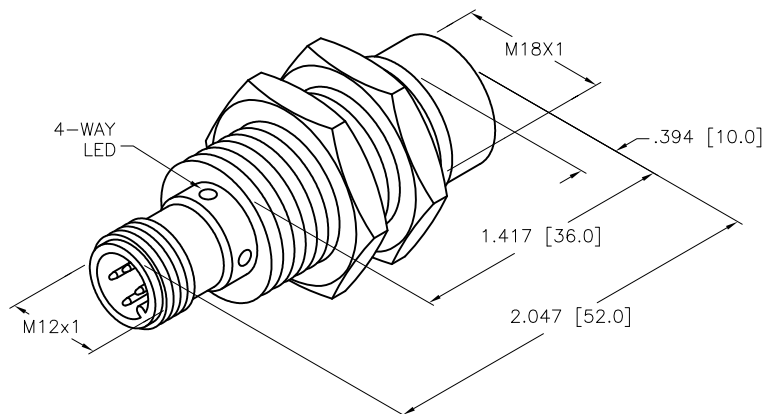
SHORT-CIRCUIT AND OVERLOAD PROTECTED

LOCKNUT LN-M18



SPECIFICATIONS

RATED OPERATING DISTANCE	14mm [.551]
MOUNTING MODE	NON-FLUSH
MIN. REPEAT ACCURACY	≤ 2%
TEMPERATURE DRIFT	≤ ±10%
HYSTERESIS	3-15%
OPERATING TEMPERATURE	-25°C to +70°C (-13°F to +158°F)
OPERATING VOLTAGE	10-30 VDC
RESIDUAL RIPPLE	≤ 10%
DC RATED OPERATIONAL CURRENT	≤ 200 mA
NO-LOAD CURRENT	≤ 15 mA
RESIDUAL CURRENT	≤ 0.1 mA
RATED INSULATION VOLTAGE	≤ 0.5 kV
SHORT-CIRCUIT PROTECTED	YES
MAX VOLTAGE DROP	≤ 1.8 V
WIRE-BREAKAGE PROTECTION	YES
REVERSE POLARITY PROTECTION	YES
OUTPUT FUNCTION	3-WIRE, NORMALLY OPEN, PNP
SWITCHING FREQUENCY	≤ 0.5 kHz
HOUSING MATERIAL	BRASS/CHROME-PLATED
ACTIVE FACE MATERIAL	PLASTIC, PA12-GF30
CONNECTOR	M12x1
SHOCK RESISTANCE	30 g, 11 ms
VIBRATION RESISTANCE	55 Hz, 1 mm AMPLITUDE (IN ALL 3 PLANES)
DEGREE OF PROTECTION	IP67
SWITCHING STATUS INDICATION	LED: YELLOW



SOURCE DRAWING - FOR REFERENCE ONLY

RELATED DOCUMENTS		3RD ANGLE PROJECTION		THIS DRAWING IS CONFIDENTIAL AND THE PROPERTY OF TURCK INC. USE OF THIS DOCUMENT WITHOUT WRITTEN PERMISSION IS PROHIBITED.		<p>3000 CAMPUS DRIVE MINNEAPOLIS, MN 55441 1-800-544-7769 (763) 553-7300 (763) 553-0708 fax www.turck.us</p>	
1.			DRFT RDS DATE 11/18/09 APVD SCALE 1=1.0	DESCRIPTION			
2.				N114-M18-AP6X-H1141			
3.		ALL DIMENSIONS DISPLAYED ON THIS DRAWING ARE FOR REFERENCE ONLY	UNIT OF MEASUREMENT		IDENTIFICATION NO.		REV
4.			INCH [MILLIMETER]		4611400		B
MATERIAL		SEE SPECIFICATIONS		CONTACT TURCK FOR MORE INFORMATION		DO NOT SCALE THIS DRAWING	
FINISH		SEE SPECIFICATIONS		FILE: 4611400		SHEET 1 OF 1	

B	UPDATE ID NUMBER PER HARMONIZATION PROJECT	CBM	11/06/17	
REV	DESCRIPTION	BY	DATE	ECO NO.